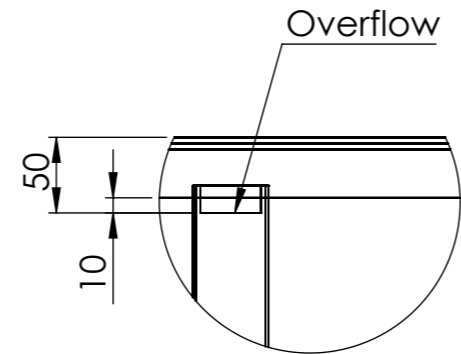
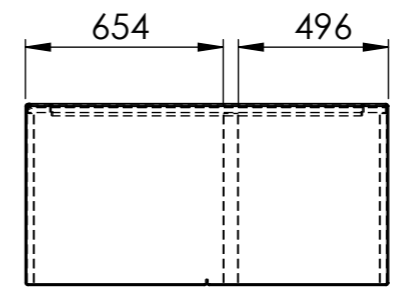
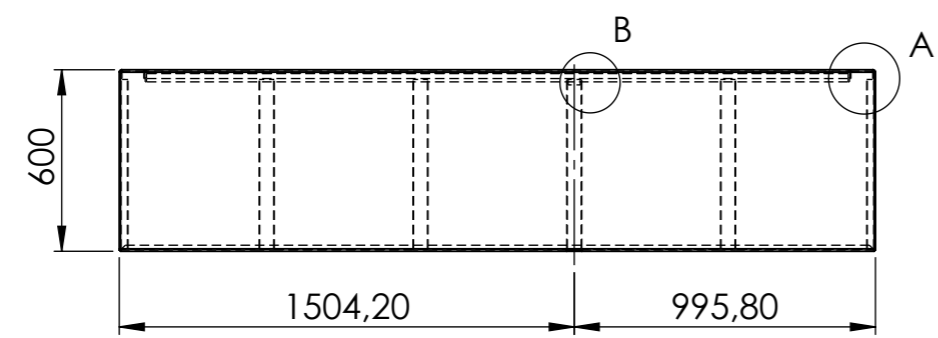
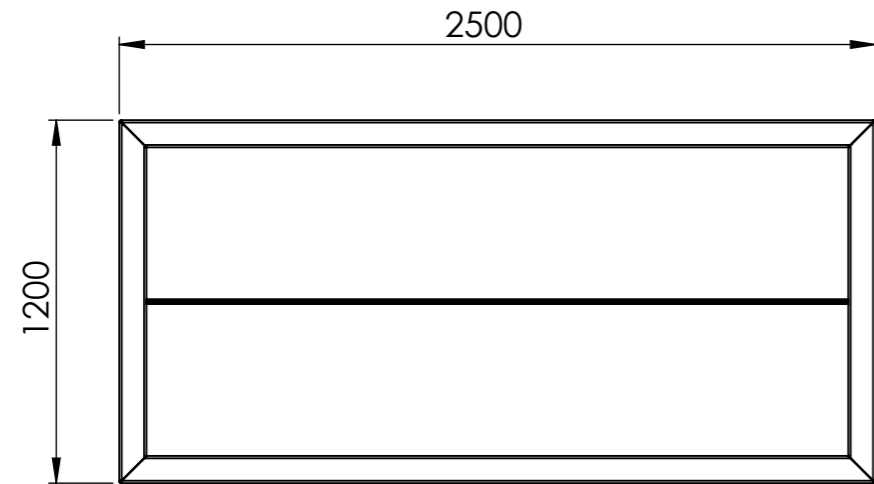
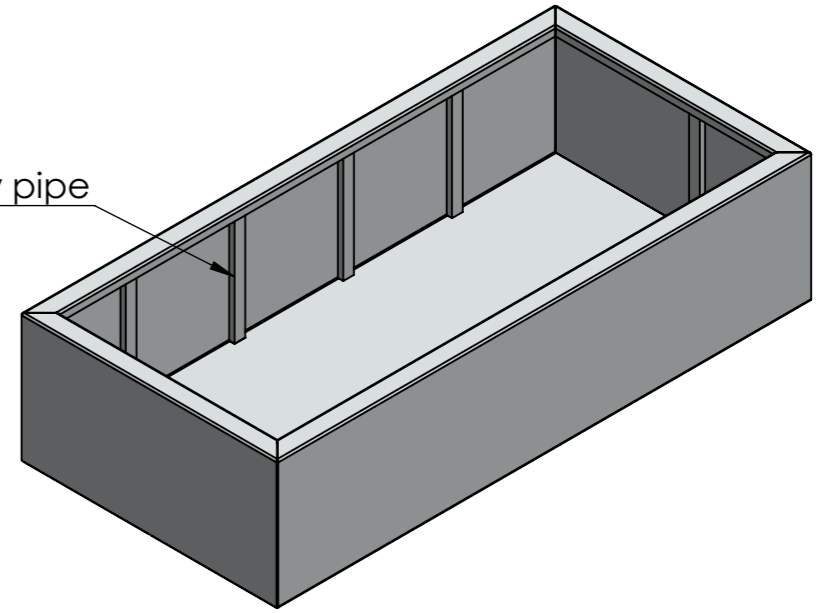


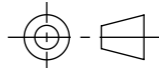

DETAIL A
SCALE 1 : 5



DETAIL B
SCALE 1 : 5

Overflow pipe



DRAWN	Luuk van den Heuvel	DATE	5-5-2026		TITLE:			
REVISION					4mm Aluminum			
				Liessentstraat 4, 5405 AG Uden (NL). † 0031 (0)413 - 27 41 68. e info@adezz.com, i www.adezz.com		Drawing:	VA8	A3
Color:	-	Mass (kg):	102.17	SCALE:1:25	SHEET 1 OF 11			